

ROOF - IT

"gives you the
look and strength
 that has been popular in the Caribbean for
 well over one hundred years"



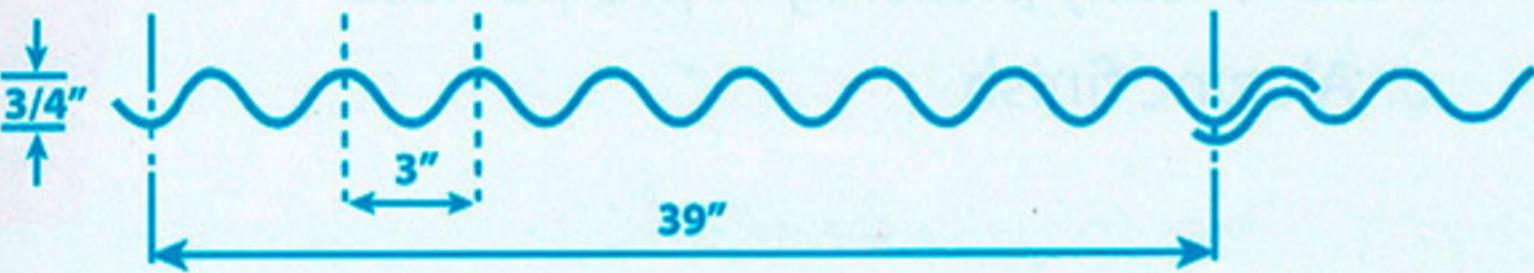
Practical and versatile roofing material

*...blends in with
 contemporary &
 older style homes and
 commercial buildings.*

**Free
 Estimates**

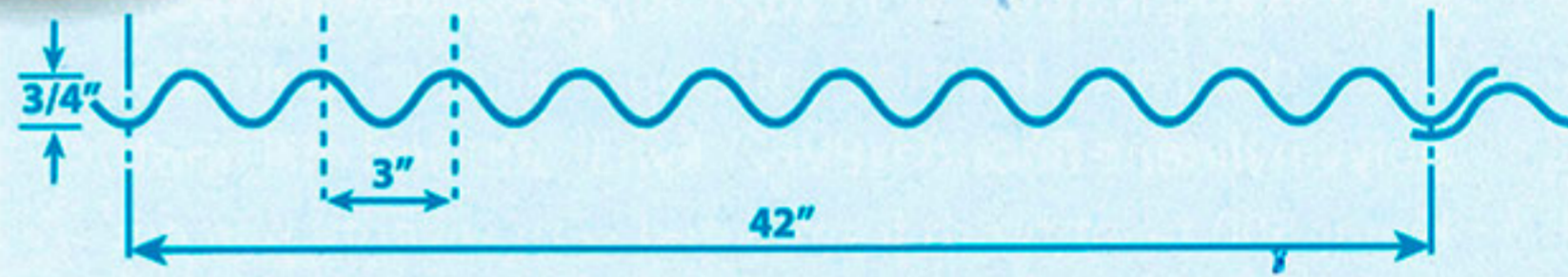
Sheet Profile

COVERAGE - 36"



Circular 9"/3"

COVERAGE - 39"

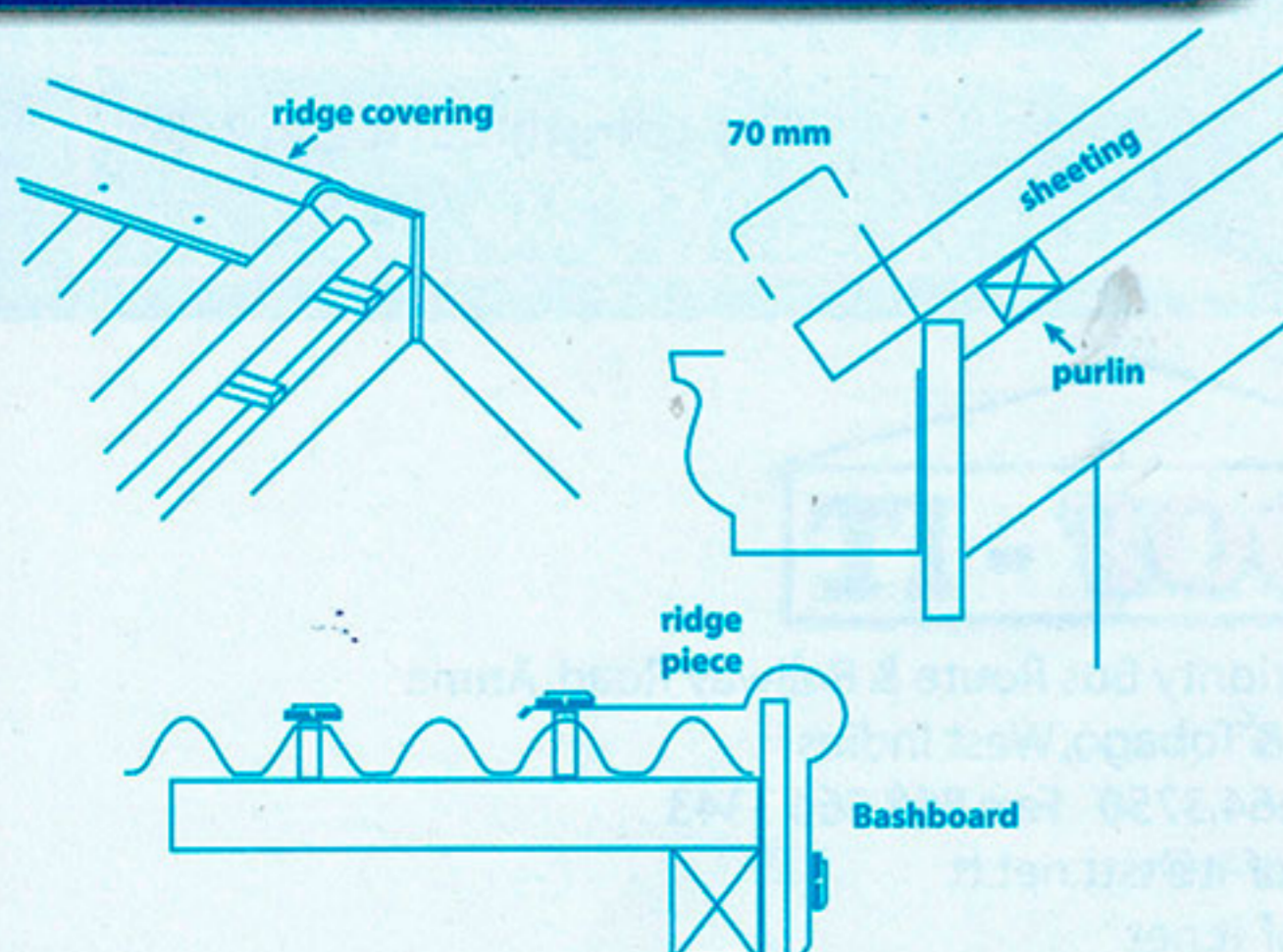


Circular 14"/3"

The 42" wide corrugated sheets allows for fewer sheets to be used where as the 36" wide sheets gives you the advantage of easier handling and installation. Sheets can be rolled to lengths that suit your specific requirements, however not greater than 50' - 0" long as transport and handling can be strenuous. We recommend that #12 x2" self-drilling fasteners of cadmium coated stainless steel and washers of high neoprene to be used upon installation.

Application	Total Coated Thickness	Internal span	End Span
Roofing	0.50/26 G	42"	36"
Roofing	0.60/24 G	49"	40"

Installation Guidelines



Laying the sheets

Screw the crown of the corrugations into the purlin, mark the position of the purlin on the top side of the sheets as you lay it. Use a straight edge or a taut line to position the fixings across the sheet. Do not screw the top row or under lapping side until the overlapping sheets are in place. Make sure to lap sheet away from the prevailing winds.

Fixing Ridges

Commence fixing ridges at the opposite end of the roof to the prevailing winds. Overlap should be about ten (10) inches.

Bash Boards

Bash board are formed by either screwing the final corrugation into a timber bash board or use a metal bash board flashing.

Cutting

Refrain from using a metal cutting disc as it will accelerate corrosion.

Fixing at Eaves

Do not overhang the sheets more than three (3) inches. Draughts may be reduced by using foam or styrotex filler pieces at the eaves.